

# Archer-Guard



## Modular work zone barriers to protect workers.

- Minutes to set up inside a taper
- One person deployment
- Ideal for temporary & long-term road closures
- Reusable after impact
- Lifetime warranty
- Expandable to fit any road width

**Scan to see the  
Archer-Guard  
in action!**



### Archer-Guard Certifications

MASH Test	Test Vehicle	Vehicle Weight	Impact Speed	Stopping Distance
TL 1-40	1100 C (Passenger Car)	2,370 lbs.	31 mph	24.7 ft
TL 2-40	1100 C (Passenger Car)	2,425 lbs.	44 mph	38.2 ft
TL 1-41	2270 P (Pickup Truck)	4,995 lbs.	31 mph	Satisfactory
TL 2-41	2270 P (Pickup Truck)	4,995 lbs.	43 mph	45.2 ft

WE OFFER RENTAL AND PURCHASING OPTIONS! GIVE US A CALL TO DISCUSS YOUR NEEDS (434) 529-6903



**MERIDIAN**  
RAPID DEFENSE GROUP

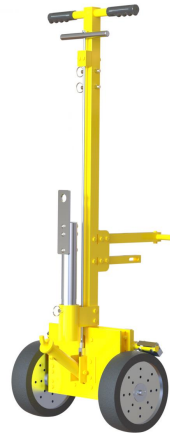


# Archer-Guard Components

**3** -Archer1200 Barrier



**1** - Archer Hauler 2.0



**1** - Archer Set Square



**3** - Archer Wayfinding Frames



**3** - Wayfinding Frame Inserts



**6** - 4 ft Arrestor Cables



# Archer 1200 Specifications



## Archer 1200 Dimensions

- Length- 48 in.
- Width- 24 in.
- Height- 57 in.
- Weight- 680 lbs.
- Surface Area- 11,288 square in
- Material- ASTM A36 steel/AR500

## Powder coat Specifications

- Gloss 60° angle (ASTM D-523-89) 80+
- Hardness (ASTM D-3363-92A) H – 2H
- Flexibility (ASTM D-1737-89) 1/8 inch
- Adhesion (ASTM D-3359-95A) 5B
- Impact direct/indirect (ASTM D-2794-93) 120 in-lbs.
- Salt Spray (ASTM B117) 1000 Hrs.

## Caster Wheel Specifications

- Type- Black soft rubber tread, crowned profile
- Core Material- Aluminum core
- Wheel Diameter- 10 in.
- Wheel Width- 2.25 in.
- Capacity- 400 lbs.

## The **5** reasons we use only steel in our barriers.



- Meridian steel barriers are designed to last a lifetime season after season through any weather conditions.
- Meridian barriers weigh 680 lbs. and are not easily moved by simply picking them up, ensuring only authorized users will be able to move the Archer 1200 Barrier.
- AR500 ballistic steel is used on the front plate to provide ballistic protection as well.
- Meridian barriers are completely reusable after being impacted by a vehicle. Meridian barriers do not crumble, break, or require replacements.
- Meridian is committed to reducing our carbon footprint by designing systems that are not dispensable.

# Archer 1200 Barrier Powder Coat Specifications

**Description:** Thermosetting Super- polyester TGIC powder coating designed for interior or exterior use where long term color and gloss retention is required and will meet or exceed AAMA 2604.98.

<b>Typical Physical Properties:</b>	<ul style="list-style-type: none"><li>▪ Film Thickness</li><li>▪ Gloss 60'angle (ASTM D-523-89)</li><li>▪ Hardness (ASTM D-3363-92A)</li><li>▪ Flexibility (ASTM D-1737-89)</li><li>▪ Adhesion (ASTM D-3359-95A)</li><li>▪ Impact Direct/Indirect (ASTM D-2794-93)</li><li>▪ Salt Spray (ASTM B117)</li><li>▪ Specific Gravity (calculated)</li></ul>	<p>2.0-3.0+ mil. 80+ H-2H 1/8 inch 5B (100%) 120 in-lbs. 1000 Hrs. &lt; 1/8' 1.58+/- .05.</p>
-------------------------------------	---	---

**Application Data:** Polyester TGIC's are to be applied with a corona electrostatic powder spray gun at between 60 KV – 100 KV.

**Cure Schedule:** Polyester TGIC's can be cured in a direct or indirect gas convection oven, an electric oven, or an Infrared. A combination of any of these ovens is also suitable.

**Storage:** Standard Cure: 10 Minutes @ 400 of Peak Metal Temperature

**Notes:** All tests were performed on Bonderite 1000, iron phosphated panels with a nominal film thickness of 2 mils. Please refer to the MSDS for safety information.

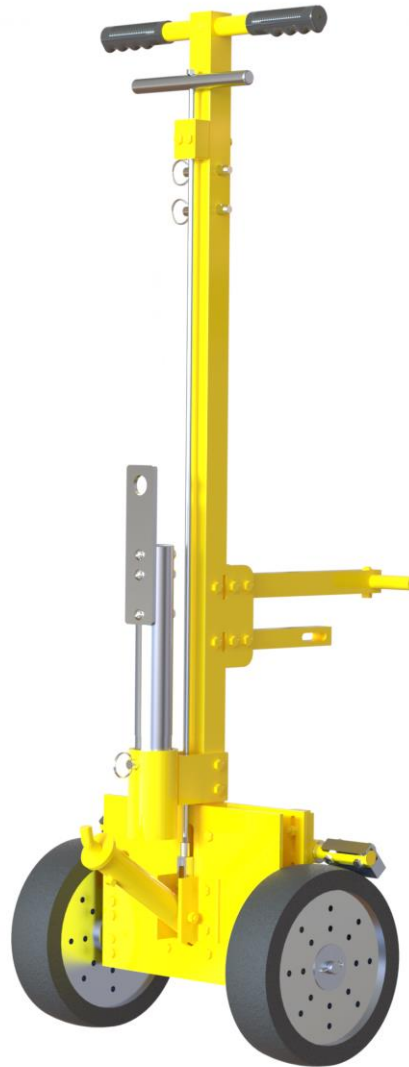


# Archer Hauler 2.0

## FEATURES

- 35% less weight
- Adjustable brakes
- 3,000 lb. capacity
- Durable powder coating
- Solid core tire

**Scan for more  
information**

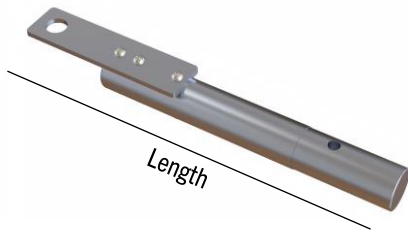


**Simple storage on  
Archer 1200 barriers**



**Lift 700 lbs. of  
steel with ease**

# Archer Hauler 2.0 Specifications

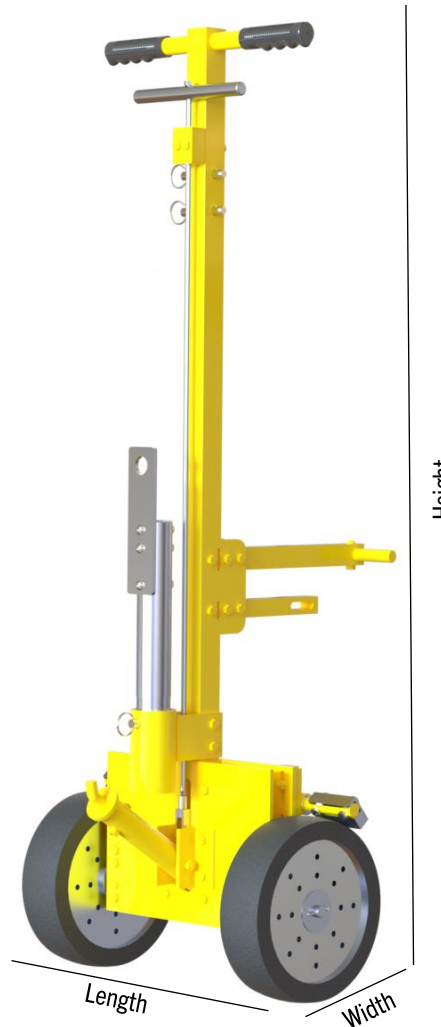


## Archer Hauler Attachment Specifications

- Length- 18 in.
- Diameter- 2.0 in.
- Weight- 4 lbs.
- Material- Aluminum 6061-T6

## Archer Hauler 2.0 Dimensions

- Length- 18 in.
- Width- 12 in.
- Height- 53 in.
- Weight- 40 lbs.
- Material- Aluminum 6061-T6



## Caster Wheel Specifications

- Type- Black solid core tire
- Core- Stainless steel core
- Wheel Diameter- 10 in.
- Wheel Width- 2.25 in.
- Capacity- 900 lbs.

## Features

- Adjustable brakes
- 3,000 lb. capacity
- Solid core tire
- Durable powder coating

## Archer Hauler 2.0 Ergonomic Data

Product	Initial Force 1	Initial Force 2	Initial Force 3	Initial Force 4	Average Force to move barrier	Force on an incline (7 degrees)
Archer Hauler 2.0	22.4 lbf	25.3 lbf	21.8 lbf	21.6 lbf	23 lbf	42 lbf

# Archer Arrestor Cable Specifications

- The Meridian Archer arrestor cable uses technology from aircraft carriers to absorb the kinetic energy of a moving vehicle and pulls the barriers into play for vehicle mitigation without loss of life.
- The Archer arrestor cable is manufactured using only the highest grade extra improved plow steel and vinyl coated in neon yellow that aids in visibility as well as abrasion protection and flexibility.
- Each wire rope cable is attached to the barriers by two G-100 Swivel self-locking hooks. The self-locking hooks each have a working load limit of 5,700 pounds and can swivel during load.

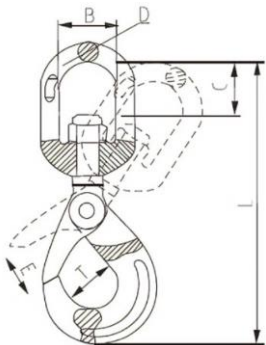
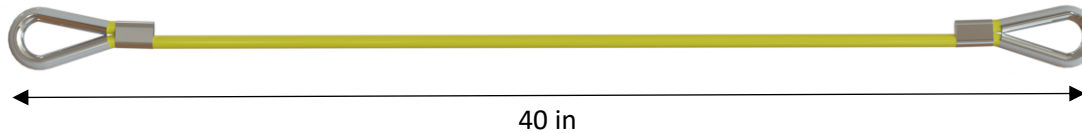


## Wire Rope Cable Specifications

- Construction- 6x19 IWRC
- Nominal Diameter-0.625 in & 0.375 in.
- Finish- Galvanized
- Lay Direction- RHRL
- Specification- ASTM A 1023 or RR-W410G
- Grade of Steel Used- EIPS
- Min. Breaking Strength- 24,004 lbs.

## Wire Rope Cable Chemical Composition

- |                  |                  |
|------------------|------------------|
| ▪ C: 0.69-.0.73% | ▪ P: Max 0.025%  |
| ▪ Si: 0.200.024% | ▪ Mn: 0.54-0.64% |
| ▪ S: Max 0.025%  |                  |
| ▪ P: Max 0.025%  |                  |
| ▪ Mn: 0.54-0.64% |                  |



## G-100 Swivel Hook Specifications

- Weight- 2.6 lbs.
- Quenched and tempered alloy steel
- EN 1677-3 & ASME B30.26, PAS1061
- Full swivel under load
- Federal Specification RR-C-271G Type IVA, Grade A, Class 2

## G-100 Specifications Dimensions

- |               |               |
|---------------|---------------|
| ▪ B- 1.42 in. | ▪ T- 1.35 in. |
| ▪ C- 1.44 in. | ▪ L- 7.35 in. |
| ▪ D- 0.51 in. | ▪ E- 1.28 in. |



# Archer Wayfinding Frame Specifications



- Custom RAL color options available



- Ideal solution to convey your message



## Archer Wayfinding Frame Dimensions

- Length- 24.25 in.
- Width- 22.25 in.
- Depth - 2 in.
- Weight- 9 lbs.
- Material - Aluminum T6

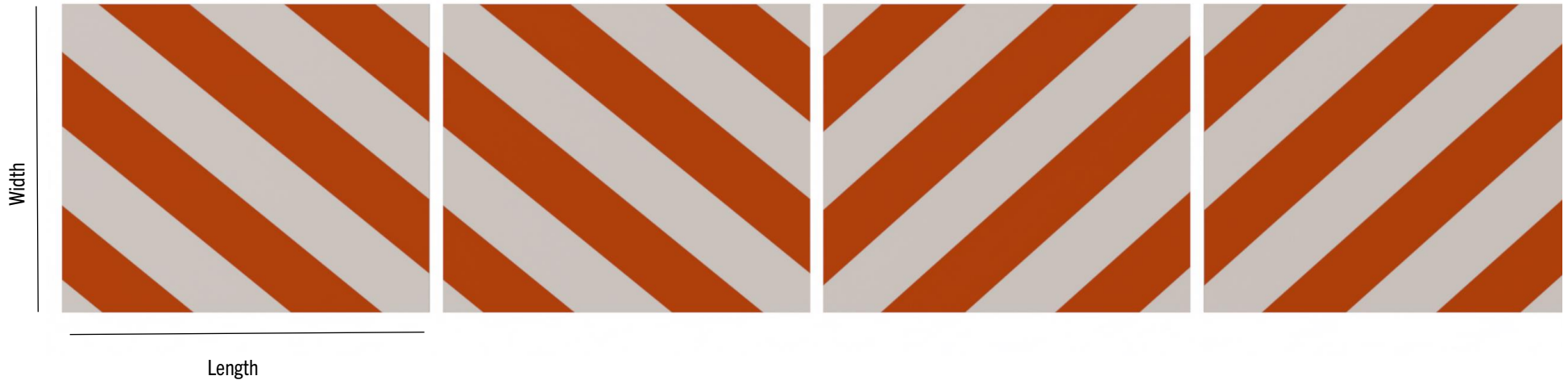
## Wayfinding Frame Hardware Specifications

- **2-** 1/2"-13 steel hex nut
- **4-** 1/2" stainless steel washer
- **2-** 1/2"-13 Thread size ,2-1/2" long steel screw
- **2-** 1/4" Diameter, 2-1/16" usable length quick release pin

**Scan for more information**



# Archer-Guard Signs Specifications



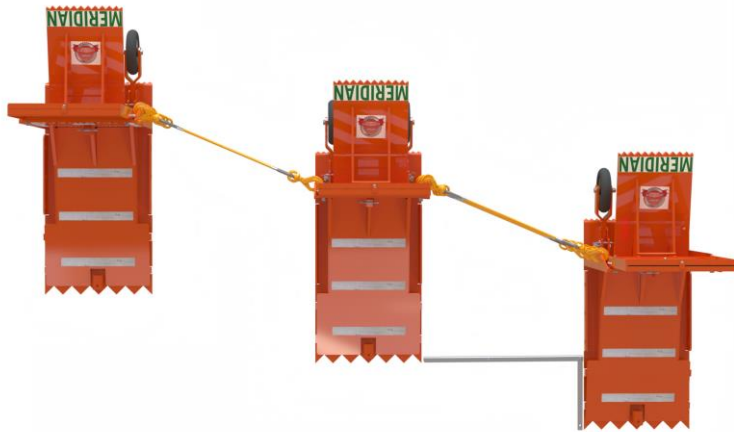
## Wayfinding Sign Dimensions

- Length- 21.35 in.
  - Width- 18.25 in.
  - Depth - 0.16 in.
  - 4 Wayfinding signs
  - Material- Coroplast
- The four standard signs that come with the Archer Rapid Gate are
    - 2 Left diagonal HIP reflective sign
    - 2 Right diagonal HIP reflective sign
  - Upon request we can provide other custom wayfinding signs as well.

# Archer-Guard Set Square Specifications

---

- Length- 36.0 in.
- Width- 23.0 in.
- Height- 2.0 in.
- Material- Aluminum 6061



**Easily setup the Archer-Guard barriers at the correct distance and angle using the set square.**

- Lightweight design- 3 lbs.
- Foldable design
- Easily stored on the Archer 1200 barrier

